

# Dual-spectrum Network Speed Dome

## IRS-SD225-T

---



### Product Feature

- Clearer and farther image with the latest 12 $\mu$ m infrared detector and leading algorithm.
- Visual and thermal dual-spectrum imaging for 24/7 safety surveillance.
- Support intelligent behavior analysis such as dual-spectrum region intrusion and cross-boarder intrusion, support AI human-vehicle recognition
- Support professional temperature measurement analysis tools and intelligent fire detection algorithm
- Support multi-event linkage alarm and audible-visible alarm
- Support intelligent scene configuration, support multiple scanning mode and target tracking
- Support DC12 or PoE
- Provide NVR and client software VMS, support standard interface protocols such as ONVIF, GB28181 and SDK for secondary development.

## Camera Specification

Technical Index		IRS-SD225-T	
Thermal	Sensor Type	VOx, uncooled FPA	
	Spectral Range	8~14μm	
	NETD	≤40mK(@25°C,F#1.0,25Hz)	
	Max. Resolution	256×192	
	Pixel Pitch	12μm	
	Lens Focal Length	7mm	10mm
	Focus Mode	Athermalized fixed focus	
	FOV	24.8°×18.7°	17.5°×11.3°
	F#	1.0	
	Spatial Resolution	1.7mrad	1.2mrad
	Color Palettes	20 modes available such as Whitehot/Blackhot/Rainbow.	
Visible	Sensor	5MP 1/2.8" Progressive Scan CMOS	
	Max. Resolution	2560×1920	
	Lens Focal Length	5.4~108mm	
	Focus Mode	Auto focus	
	FOV	43.5°×34.5°~4.7°×3.6°	
	Day/Night	ICR Auto / Digital color to B/W	
	IR Illuminator	Max. supplement light range: 50m	
PT	Pan Range	360° continuous rotation	
	Pan Speed	0.1°~120°/s	
	Tilt Range	0°~90°	
	Tilt Speed	0.1°~60°/s	
	Presets	255	
	Scan Mode	Preset/Pattern Scan/Patrol Scan/ Linear Scan/Panorama Scan	
Network	Protocols	IPv4,HTTP,HTTPS,QoS,FTP,SMTP,UPnP,SNMP,DNS,DDNS,NTP,RTSP,RTCP,RTP,TCP,UDP,IGMP,ICMP,DHCP	
	Interoperability	ONVIF, GB28181, SDK	
	Simultaneous Live View	Max. 8	
	User Management	Up to 20 users , divided into 3 levels: administrator, operator and ordinary user	
	Browser	Support browsers such as Chrome, Firefox, Edge, etc,	

Video Parameters	Max. Resolution	2560×1920 (visible) , 1280×960 (thermal)
	Image Format	JPEG
	Audio Compression	G.711a/G.711u/AAC/PCM
	Video Compression	H.264/H.265
	Main Stream	Visible: 50Hz:25fps(2560×1920,2560×1440,1920×1080) 60Hz:30fps(2560×1920,2560×1440,1920×1080) Thermal: 50Hz:25fps(1280×960,1024×768) 60Hz:30fps(1280×960,1024×768)
Sub Stream	Visible: 50Hz:25fps(1920×1080,1280×720,704×576,352×288) 60Hz:30fps(1920×1080,1280×720,704×480,352×240) Thermal: 50Hz:25fps(640×480,320×288) 60Hz:30fps(640×480,320×240)	
Temperature Measurement Function	Temperature Measurement Range	-20℃~+55℃
	Temperature Measurement Accuracy	±2℃ or ±2%, the larger value shall prevail
	Temperature Measurement Analysis	Support temperature measurement tools such as full frame/ point/ line/ region and linkage alarm
Smart Function	Fire Alert	Support fire detection
	Smart Recording	Alarm trigger recording, disconnection trigger recording
	Smart Alarm	Support alarm trigger of network disconnection, IP address conflict, memory error, illegal access, burning alert and abnormal detection
	Smart Detecting	Support smart event analysis such as human-vehicle recognition, cross-border, region intrusion
	Voice Talkback	Support two-way voice talkback
	Alarm Linkage	Video recording/Snapshot/alarm output/ sending mail/ PTZ linkage/Audible and visual alarm
System Interface	Power Supply	DC 12V±25% / PoE(802.3af/at)
	Communication	1 RJ45 self-adaptive 10M / 100M Ethernet port
	Audio	1-channel audio input , 1-channel audio output , 1-channel built-in Speaker
	Alarm	2-channel alarm input, 2-channel alarm output
	Memory	Support Micro SD card (maximum 256G)
	Reset Button	Support
	Communication	1-channel RS485

General	Operating Conditions	-40℃~+70℃; <95%RH
	Ingress Protection	IP66
	Power Consumption	Max.20W
	Dimension(mm)	265×147.5×248.7
	Weight	2480g

## Effective Distance

The recommended distance of detecting, recognizing and identifying for man (1.8×0.5m) and vehicle (1.4×4.0m) are as follows:

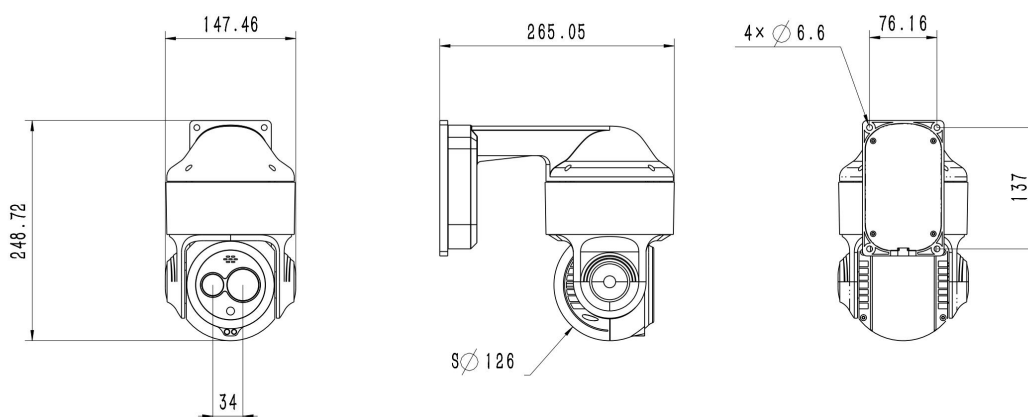
DD: Detection Distance

RD: Recognition Distance

ID: Identification Distance

Lens	DD (Vehicle )	DD (Man)	RD (Vehicle)	RD (Man)	ID (Vehicle)	ID (Man)
7mm	894m	292m	224m	73m	112m	36m
10mm	1278m	417m	319m	104m	160m	52m

## Structural Drawings



©IRay Technology Co., Ltd. 2023. All right reserved worldwide.

This datasheet is subject to change without prior notice. Please contact us to get the latest datasheet.