

# Dual-spectrum PTZ Network Camera

## IRS-PT664C

---



### Product Feature

1. With the application of high performance cooled MWIR thermal imaging module, high-definition digital camera and tele lens, the PTZ camera can make high accuracy and long distance imaging, which can meet the requirements of 24/7 maritime monitoring.
2. With the high-speed, high accuracy PTZ and high performance anti-corrosive materials, the camera is designed to cope with the most arduous marine environments.
3. The professional platform software supports intelligent infrared video analysis, which can realize the surveillance for offshore and fast patrol vessels.

## Camera Specifications

Technical Index		IRS-PT664C
Thermal	Sensor Type	MCT cooled IRFPA detectors
	Spectral Range	3.7 ~ 4.8 $\mu$ m
	NETD	$\leq$ 25mK
	Max. Resolution	640x512
	Pixel Pitch	15 $\mu$ m
	Focal Length	30 ~ 660mm
	Focus Mode	Auto/Manual
	FOV	18.2 $\times$ 14.6 $^{\circ}$ ~ 0.9 $^{\circ}$ $\times$ 0.7 $^{\circ}$
	F number	F4.0
	Spatial Resolution	0.5 ~ 0.023mrad
	Color Palettes	18 modes selectable such as Blackhot/Whitehot/Rainbow, etc.
Visible	Image Sensor	high performance 1/1.8inch 4MP CMOS
	Max. Resolution	2688 $\times$ 1520
	Focal Length	6 ~ 300mm 50 $\times$ optical zoom
	Focus Mode	Auto / Manual / One-shot auto
	FOV	Horizontal: 62 $^{\circ}$ ~ 1.6 $^{\circ}$
	Min. Illumination	Color: 0.005Lux/F1.4 B/W: 0.0005Lux/F1.4
	WDR	Support
	Day/Night	Manual/Auto
	DNR	3D NR
PTZ	Pan Range	Pan 360 $^{\circ}$ Continuous Rotate
	Pan Speed	Configurable: 0.01 $^{\circ}$ ~ 30 $^{\circ}$ /s
	Tilt Range	Tilt-90 $^{\circ}$ ~ +90 $^{\circ}$

Technical Index		IRS-PT664C
	Tilt Speed	Configurable: 0.01° ~ 15°/s
	Preset Accuracy	±0.01°
	Presets	256
	Patrol Scan	8, up to 255 presets per patrol
	Pattern Scan	4
	Linear Scan	4
	Panorama Scan	1
	3D Positioning	yes
	Power Off Memory	yes
	Tele Speed Setup	Speed adaptation to zoom ratio
	Position Setup	support, configurable in horizontal/vertical
	Privacy Mask	Yes
	Park	Preset/Pattern Scan/Patrol Scan/Linear Scan/Panorama Scan
	Scheduled Task	Preset/Pattern Scan/Patrol Scan/Linear Scan/Panorama Scan
	Anti-burn	yes
	Remote Power-off Reboot	yes
<b>Network</b>	Protocols	TCP/IP,UDP,ICMP,HTTP,HTTPS,FTP,DHCP,DNS,RTP,R TSP,RTCP,IGMP,SMTP,NTP,QoS
	Interoperability	ONVIF,GB28181,SDK
	Simultaneous live view	Up to 20 channels
	User Management	Up to 20 users, 3 levels: Administrator, Operator and User
	Browser	IE8+, multiple languages (at least Chinese and English)

Technical Index		IRS-PT664C
Video	Max. Resolution	2688×1520 (visible) , 640×512 (thermal)
	Image Encoding Format	JPEG
	Audio Compression	G.711A/G.711Mu/PCM/AAC/MPEG2-Layer2
	Video Compression	H.264/H.265/MJPEG
	Main Stream	Visible: 50Hz:25fps(2688×1520),25fps(1920×1080),25fps(1280×720); 60Hz:30fps(2688×1520),30fps(1920×1080),30fps(1280×720); Thermal: 50Hz:25fps(640×512); 60Hz:30fps(640×512);
	Sub Stream	Visible: 50Hz:25fps(1280×720), 25fps(704×576); 60Hz:30fps(1280×720), 30fps(704×480); Thermal: 50Hz:25fps(640×512); 60Hz:30fps(640×512);
Smart Function	Fire Detection	yes
	Zoom Linkage	yes
	Smart Record	Alarm trigger recording, disconnection trigger recording (continue transmission after connection)
	Smart Alarm	Support alarm trigger of network disconnection, IP address conflict, full memory, memory error, illegal access and abnormal detection
	Smart Detecting	Support smart video analysis such as line intrusion, cross-border, and region intrusion

Technical Index		IRS-PT664C
	Alarm Linkage	Recording/Capture/Sending mail/PTZ linkage/Alarm output
<b>System Interface</b>	Power Supply	DC 48V
	Communication	RJ45 self-adaptive 10M/100M Ethernet port
	Audio Input	1 channel
	Audio Output	1 channel
	Video Output	1.0V[p-p] / 75Ω, PAL or NTSC, BNC head
	Alarm Input	7 channels
	Alarm Output	2 channels
	Storage Interface	Support Micro SD card (Max.256G) , hot swap
	RS485	1 channel, support Pelco protocols
<b>General</b>	Operating Conditions	-40℃ ~ +70℃ ; <90%RH
	Protection Grade	IP66, TVS 6000V Lightning Protection, Surge Protection and Voltage Transient Protection Conform to GB/T17626.5 Grade-4 Standard
	Power Protection	support protection on overvoltage, undervoltage and reverse connection
	Power Consumption	200W
	Dimensions(m m)	746× 748× 437mm (W×H ×L)
	Weight	42KG

## Operating Distance

The recommended distance of detecting, recognizing and identifying for human (1.8×0.5m) and vehicles (1.4×4.0m) are as follows:

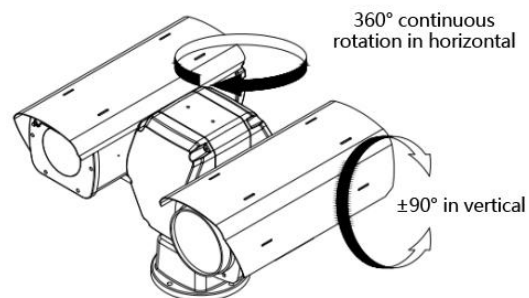
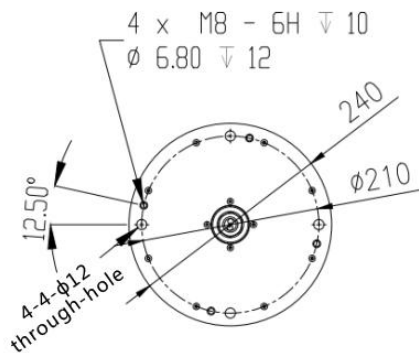
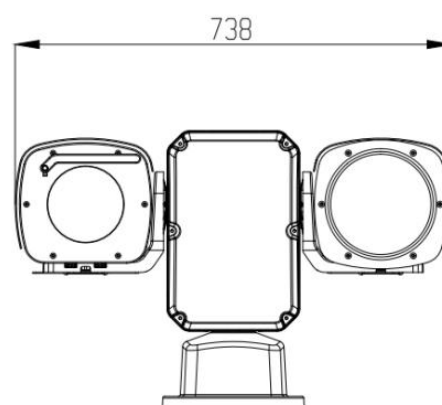
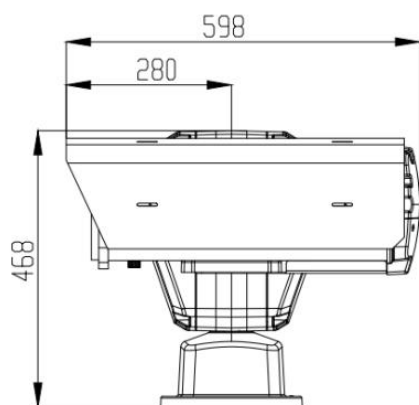
DD stands for Detecting Distance;

RD stands for Recognizing Distance;

ID stands for Identifying Distance;














Equipped Lens	DD (Vehicle)	DD (Human)	RD (Vehicle)	RD (Human)	ID (Vehicle)	ID (Human)
PT664C (660mm)	67.5km	22.0km	17.9km	5.5km	8.4km	2.8km


## Camera Structure and Dimensions



The turning radius is about 470mm

## Package List

No.	Name	Qty	Notes
1	PT	1	
	H5 Allen wrench	1	
	binding post	1	
	waterproof casing for network cable	1	
	lifting bolt	2	
	M6*25 screws (with flat washer and spring washer)	16	
	M4*16 thumb screw (with seal ring)	10	
	M4*20 thread-off proof screw (with flat washer, spring washer, seal ring and lifting post)	12	
wiring cover board	2		
2	protective cover for visible light	1	
	sun-shield cover	1	
3	protective cover for thermal imaging	1	
	sun-shield cover	1	

4	power	1	
---	-------	---	---

©IRay Technology Co., Ltd. 2021. All right reserved worldwide.

This datasheet is subject to change without prior notice. Please contact us to get the latest datasheet.